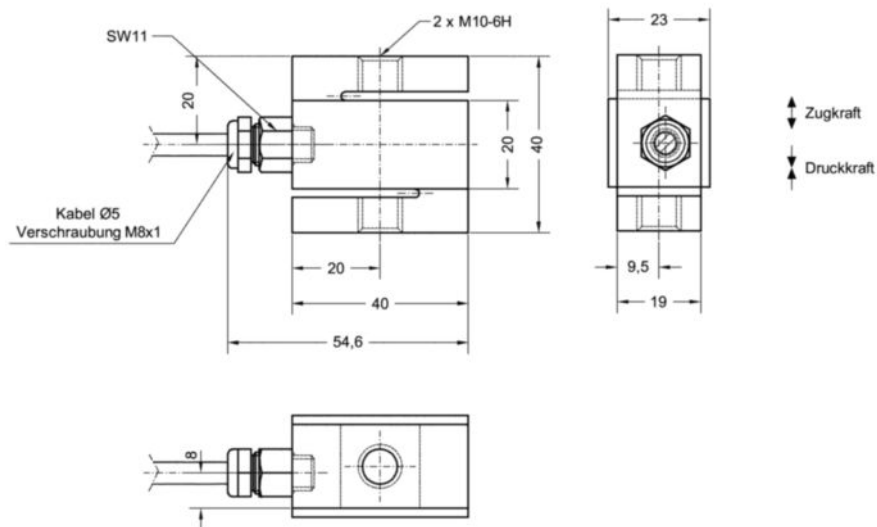


## Series KM1506

- Capacity from 0...2kN to 0...20kN
- Calibration either in tension or compression
- Calibration in N
- Up to 12-fold ultimate overload



## Dimensional Drawing



# Series KM1506

Technical Data					
Capacity (0 to ...)	2 kN	5 kN	10 kN	15 kN	20 kN
Safe Overload	150 % F.S.				
Ultimate Overload	1200% F.S.	600% F.S.	500% F.S.	300% F.S.	300% F.S.
Rated Output	2 mV/V				
Rated Output Tolerance	1 % F.S.				
Zero Balance	1 % F.S.				
Non-Linearity	0,05 % F.S.				
Hysteresis	0,05 % F.S.				
Creep (30 min.)	0,05 % F.S.				
Total Error *	0,1 % F.S.				
Non-Repeatability	0,05 % F.S.				
Temp.Effect on Zero	0,02 % F.S./10K				
Temp.Effect on Output	0,02 % F.S./10K				
Legend:	* ) Hysteresis included All above values in %F.S. < = ± values Calibration protocol ist not included				

Mechanical Data	
Measuring Method	Foil Strain Gage Full Bridge
Material Loadcell	Steel

Ambient Conditions	
Compensated Temperature	-10 ... +50°C
Operating Temperature	-30 ... +70°C
Protection Class	IP 65

Electrical Data	
Input Impedance	380 ± 30 Ω
Output Impedance	350 ± 3 Ω
Insulation	> 5000 MΩ
Recommended Excitation	10 VDC typ. / 15 VDC max.
Cable Size	4-wire shielded, 2m

# Series KM1506

## Electrical Connection

Wiring	0000
brown	Excitation +
yellow	Excitation -
green	Signal +
white	Signal -
Shield	on housing

## Ordering Code

<b>Series</b>	<b>KM1506</b>			
<b>Capacity</b>		<b>2KN</b>		
		<b>5KN</b>		
		<b>10KN</b>		
		<b>15KN</b>		
		<b>20KN</b>		
<b>Connection</b>			<b>K</b>	
<b>Amplifier</b>				<b>0000</b>

## Accessories

### External Amplifiers

- EMA3-DMS / EMA3-2DMS
- IPG-DMS / IPG-2DMS
- SI-DMS
- IMA2-DMS

### Displays

- DH28-DMS
- Modig

short-term stock types can be found on: <http://www.megatron.de/en/stocklists/load-cells/lagerliste.html>

bold print = standard option

(\*) = on request available for projects

19.02.2015