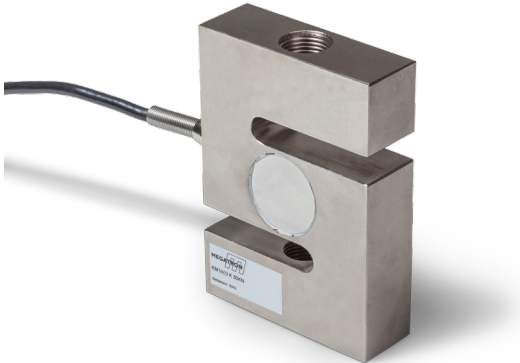


Data sheet for Load Cells

S-Beam Load Cells

Series KM1603



- Strain gauge principle
- Stainless steel
- Force transmission via M18-thread for 20kN..50kN
- Protection grade IP67
- Easy to install, stable and reliable

Series KM1603 force transducer is a all-purpose S-beam load cell.

Data Load Cell

Rated force	20kN, 30kN, 50kN
Rated characteristic value	2,0 mV / V of rated output
Relative error of characteristic value	≤ 1 % of rated output
Relative repeatability error	≤ 0,03 % of rated output
Relative reversibility error	≤ 0,03 % of rated output
Relative linearity error	≤ 0,03 % of rated output
Relative deviation of zero signal	≤ 0,03 % of rated output
Input resistance	387 ±20 Ω
Output resistance	350 ±5 Ω
Insulation resistance	≥ 5 GΩ @ 50 VDC
Maximum operating force	≤ 150% of rated force
Rated range of excitation voltage	≤ 10 V DC/AC
Operating range of excitation voltage	≤ 15 V DC/AC
Rated temperature range	-10 °C..+70 °C
Operating temperature range	-10 °C..+40 °C
Protection	IP67
Temperature effect on characteristic value	≤ 0,02 % of rated output / 10 K
Temperature effect on zero signal	≤ 0,02 % of rated output / 10 K
Creep under load	≤ 0,03 % of rated output
Cable dimension	4xAWG24; jacket Ø4,8 mm; screened
Cable length from body	ca. 6 m
Body material / cable material	Stainless steel / PTFE

Terms according to guideline VDI / VDE / DKD 2638

Data sheet for Load Cells

S-Beam Load Cells

Series KM1603

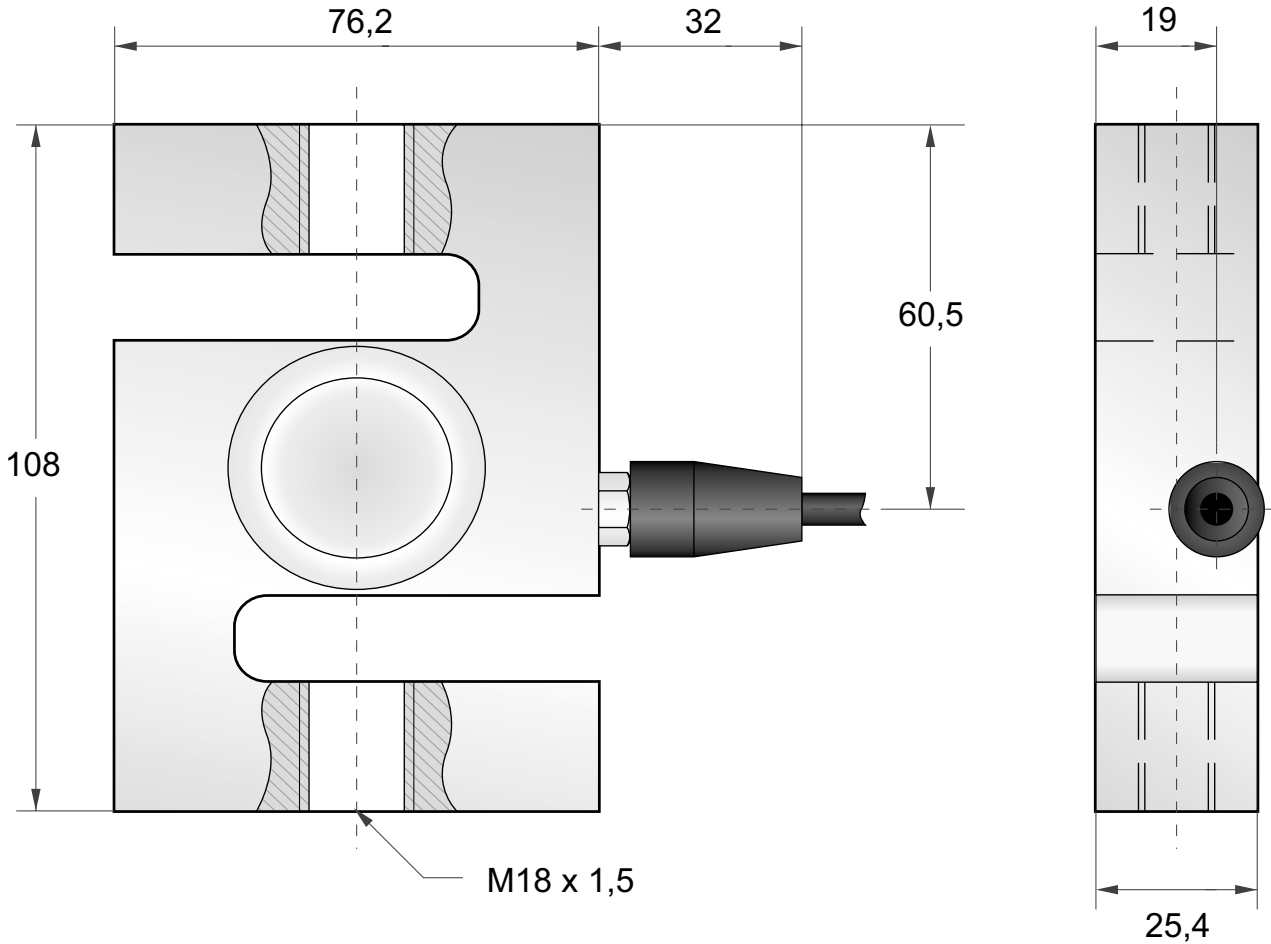
Order code

Description	Selection: standard=black/bold, possible options=grey/cursive		
Series:	KM1603		
Connecting cable: Cable length 6 m		K	
Rated force: <i>Option 20 kN</i> 30 kN 50 kN			<i>20kN</i> 30kN 50kN

Accessories

Measuring amplifier	IMA2 DMS
----------------------------	----------

Drawing



Dimensions in mm

Cable assignment

For tension:

Red: +input
 Black: -input
 White: -output
 Green: +output

For pressure:

Red: +input
 Black: -input
 White: +output
 Green: -output

Connection diagram tension

