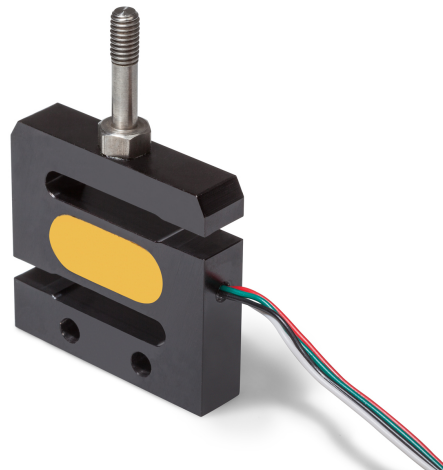
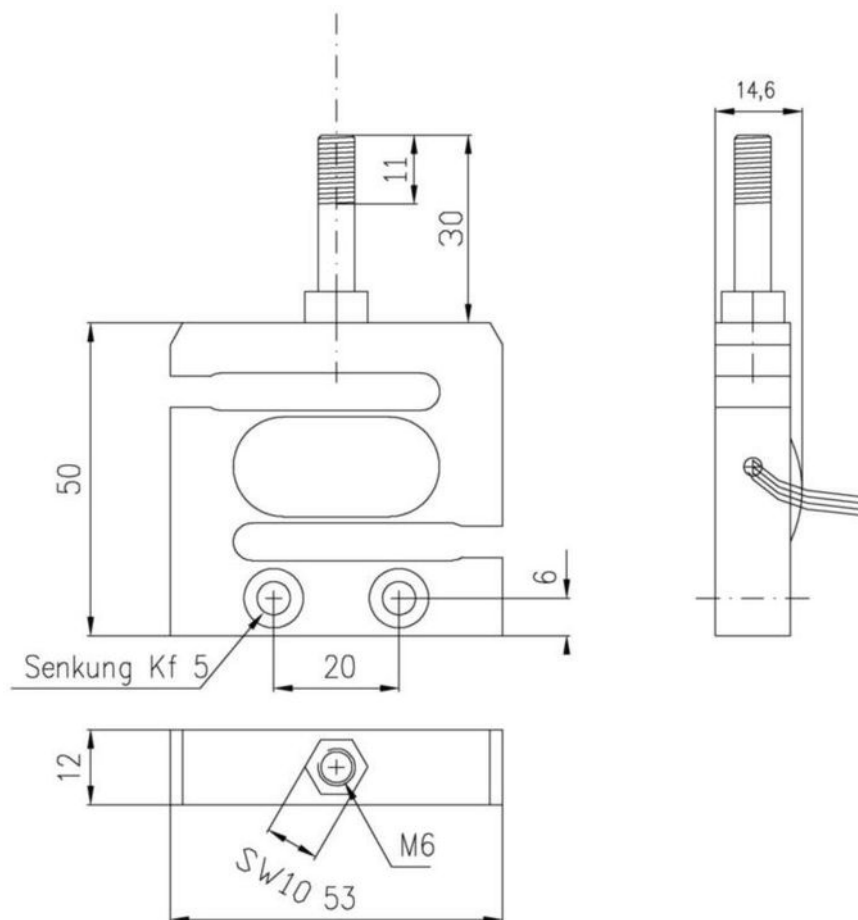


Series KM500

- Capacity 0...500N
- Calibration either in tension or compression
- Loadcell in Aluminium
- Small design
- Well-priced sensor for OEM applications



Dimensional Drawing



Series KM500

Technical Data

| | |
|------------------------|--|
| Capacity (0 to ...) | 500 N |
| Operating Overload | 150 % F.S. |
| Safe Overload | 200 % F.S. |
| Ultimate Overload | > 300 % F.S. |
| Rated Output | 2 mV/V |
| Rated Output Tolerance | 10 % F.S. |
| Zero Balance | 5 % F.S. |
| Non-Linearity | 0,05 % F.S. |
| Hysteresis | 0,08 % F.S. |
| Creep (30 min.) | 0,1 % F.S. |
| Total Error * | 0,15 % F.S. |
| Non-Repeatability | 0,05 % F.S. |
| Temp.Effect on Zero | 0,2 % F.S./10K |
| Temp.Effect on Output | 0,2 % F.S./10K |
| Dynamic Load Capacity | 50 % F.S. |
| Fullscale Deflection | 0,2 mm |
| Limiting Lateral Load | 20 % F.S. |
| Legend: | *) Hysteresis included All above values in %F.S. < = ± values Calibration protocol ist not included |

Mechanical Data

| | |
|-------------------|------------------------------|
| Measuring Method | Foil Strain Gage Full Bridge |
| Material Loadcell | Aluminium Alloy |

Ambient Conditions

| | |
|-------------------------|----------------|
| Compensated Temperature | -10 ... +40° C |
| Operating Temperature | -10 ... +60° C |
| Storage Temperature | -25 ... +60° C |
| Protection Class | IP 00 |

Electrical Data

| | |
|------------------------|---------------------------|
| Input Impedance | 350 ± 50 Ω |
| Output Impedance | 350 ± 50 Ω |
| Insulation | > 1000 MΩ |
| Recommended Excitation | 10 VDC typ. / 15 VDC max. |
| Cable Size | 4-wire, ribbon, 10 cm |

Series KM500

Electrical Connection

| | |
|--------|--------------|
| Wiring | |
| red | Excitation + |
| black | Excitation - |
| white | Signal + |
| green | Signal - |

Ordering Code

| | | | | |
|-------------------|--------------|-------------|----------|-------------|
| Series | KM500 | | | |
| Capacity | | 500N | | |
| Connection | | | K | |
| Amplifier | | | | 0000 |

Accessories

External Amplifiers

- EMA3-MS / EMA3-2DMS
- IPG-DMS / IPG-2DMS
- SI-DMS
- IMA2-DMS

Displays

- DH28-DMS
- Modig

The specifications and information in this datasheet cannot consider all special demands that are caused by the application. Because of this, they are no general description of the properties of the product.

19.02.2015 . All specifications are subject to change without notice.

short-term stock types can be found on: <http://www.megatron.de/en/stocklists/load-cells/lagerliste.html>

bold print = standard option

(*) = on request available for projects