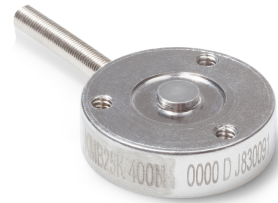


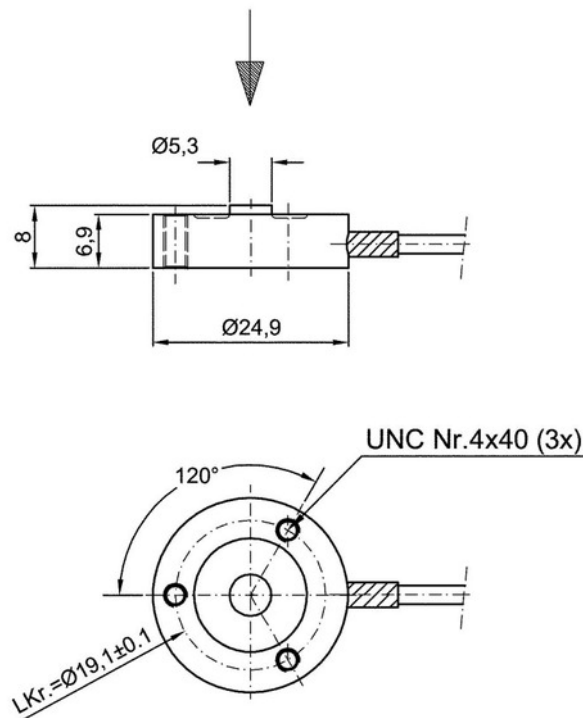
## Series KMB25

- Capacity from 0 ... 200N to 0 ... 400N
- Calibration in compression
- Loadcell in steel
- Protection class IP65

That flat and robust series is an excellent force transducer to detect small forces. The housing shape is independent from capacity. The threaded through hole allows an easy mounting.



## Dimensional Drawing



## Series KMB25

### Technische Daten

Capacity (0 to ...)	200; 400 N
Operating Overload	120%F.S.
Safe Overload	150%F.S.
Ultimate Overload	> 200%F.S.
Rated Output	2 mV/V
Rated Output Tolerance	10%F.S.
Zero Balance	3%F.S.
Non-Linearity	0,8%F.S.
Hysteresis	0,8%F.S.
Creep (30 min)	0,2%F.S.
Total Error *	2%F.S.
Non-Repeatability	0,3%F.S.
Temp.Effect on Zero	0,2%F.S./10K
Temp.Effect on Output	0,1%F.S./10K
Legende:	*) = Hysteresis included All above values in %F.S. < = ± values

### Mechanical Data

Measuring Method	Foil Strain Gage Full Bridge
Material Loadcell	stainless Steel

### Ambient Conditions

Compensated Temperature	-10 ... +40° C
Operating Temperature	-20 ... +6° C
Protection Class	IP 65

### Electrical Data

Input Impedance	350 ± 30 Ω
Output Impedance	350 ± 3 Ω
Insulation	> 2000 MΩ
Recommended Excitation	5 VDC typ., 7 VDC max.
Cable Size	4-wire shielded, 2m

# Series KMB25

## Signal Versions

	Supply	Signal
0000 without amplifier	5 V	10 mV $\pm$ 20%

## Electrical Connection

Wiring	0000
black	Excitation -
red	Excitation +
green	Signal +
white	Signal -
Shield	on Housing

## Order Code

Order Code						Accessories
<b>Series</b>	<b>KMB25</b>					<b>External Amplifiers</b> <ul style="list-style-type: none"> <li>• EMA3-DMS / EMA3-2DMS</li> <li>• IPG-DMS / IPG-2DMS</li> <li>• SI-DMS</li> <li>• IMA2-DMS</li> </ul>
<b>Capacity</b>		<b>200N</b>				
		<b>400N</b>				
<b>Connection</b>			<b>K</b>			<b>Displays</b> <ul style="list-style-type: none"> <li>• DH28-DMS</li> <li>• Modig</li> </ul>
<b>Amplifier</b>				<b>0000</b>		
<b>Force Direction</b>					<b>D</b>	

The specifications and information in this datasheet cannot consider all special demands that are caused by the application. Because of this, they are no general description of the properties of the product.

19.02.2015 All specifications are subject to change without notice.

short-term stock types can be found on: <http://www.megatron.de/en/stocklists/load-cells/lagerliste.html>

bold print = standard option

(\*) = on request available for projects