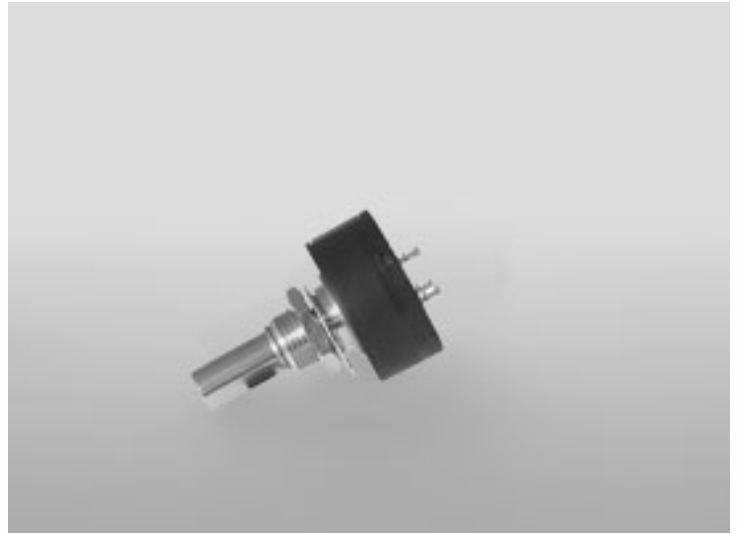


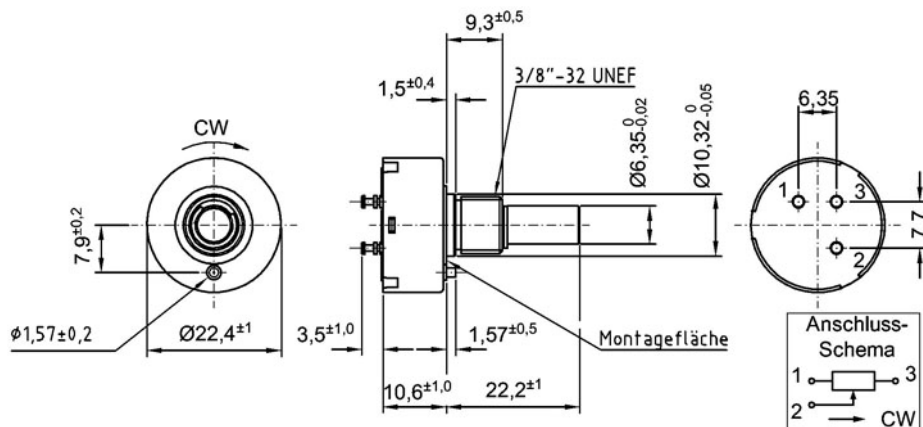
## Series MPA20, MPA21 - Conductive Plastic Potentiometer

- Body diameter 22 mm
- With or without mechanical stop
- Resistance values from 0,5 to 100 kOhm
- Linearity tolerance 1% (0,5%)
- Life 10 million turns
- Customized adaptations

High precision, with a very long life and with a wide range of options. Sealed shaft (IP65) and body (IP64) possible. Preference types from stock.



## Drawing



## Series MPA20, MPA21 - Conductive Plastic Potentiometer

Electrical Data	MPA20	MPA21
Electrical rotation angle	340° ± 4°	320° ± 4°
Resistance value	0,5 ... 100 kOhm	
Resistance tolerance	± 15% (± 10%)	
Linearity tolerance, independent	± 1% (± 0,5%)	
Output smoothness	< 0,1%	
Power rating at +70°C (OW at 105°C)	1 W	
Wiper current	10 µA max. / 2 µA recommended	
Insulation	1.000 MOhm bei 500 VDC	

Mechanical Data	MPA20	MPA21
Mechanical rot. angle	360° without stop	320° ± 5° with stop
Max. rotational speed	400 rpm	
Life (90% elec. angle)	10 x 10 <sup>6</sup> rev.	
Starting torque	0,5 Ncm	
Stopper strength	--	60 Ncm
Max. torque mounting nut	150 Ncm	

Other Data	
Protection	IP40 (IP54 on request)
Protection shaft sealing, optional	IP65
Operating temperature	-55 ... +105 °C
Bearing	sleeve bearing
Housing material	engineered plastic
Shaft material	stainless steel
Bearing bush material	brass
Connection	gold-plated soldering pin
Mounting parts	hex-nut, tooth washer (included in delivery)
Weight	20 g

## Series MPA20, MPA21 - Conductive Plastic Potentiometer

Options and Order Description					
Description	Options (Code)				
without stop	MPA20				
with stop	MPA21				
Resistance value		R500 R1K R2K <b>R5K</b> <b>R10K</b> R20K R50K R100K			
Resistance tolerance			<b>W15%</b> W10%		
Linearity tolerance				<b>L1%</b> LO,5%	
Sealing ring					D
Example Order Code	MPA20	R1K	W15%	L1%	

**Please ask for more options and accessories.**

Preference types (bold) from stock.

The specifications and information in this datasheet cannot consider all special demands that are caused by the application. Because of this, they are no general description of the properties of the product.

2010 July 05. All specifications are subject to change without notice.